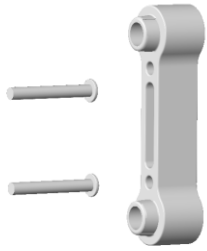


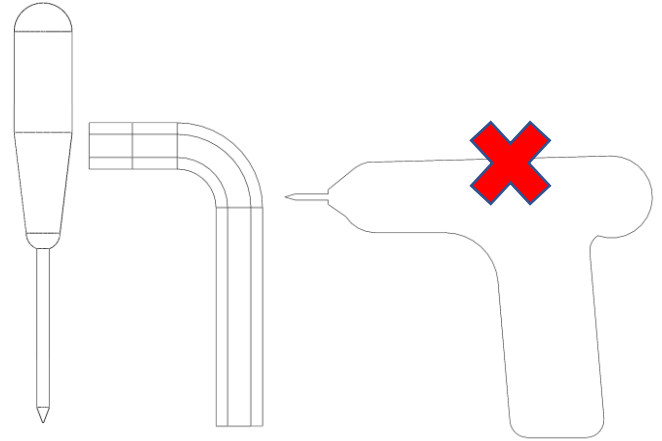
# 15mm Cheek piece spacer

Make sure your recoil set is complete, and you have the right tools

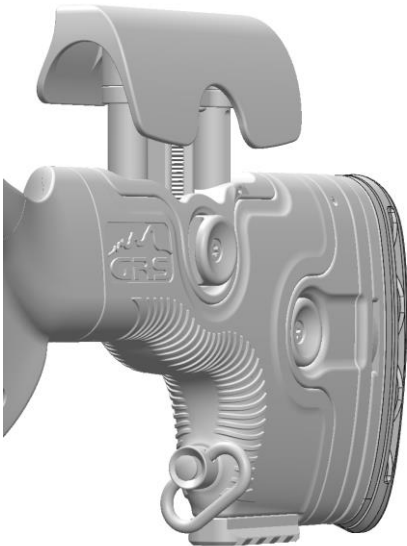


15mm Spacer

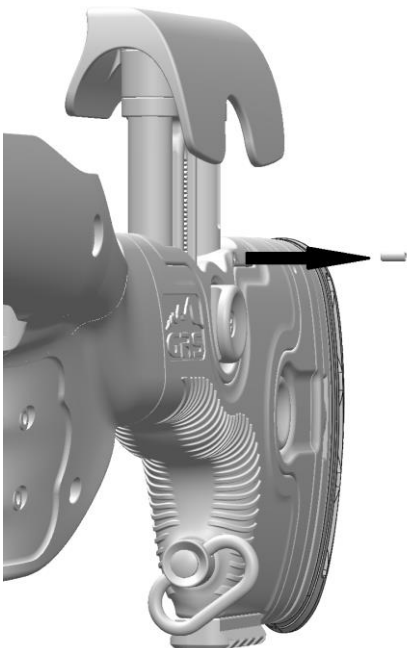
30mm screws



Screwdriver – Umbraco



Put your cheek piece in the upper position, unlocked.



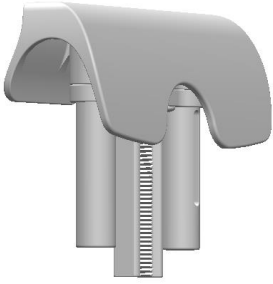
Take note of how deep the small cheek piece screw is fastened.

Use a small umbraco to unscrew it.

## **!WARNING!**

The cheek piece fastening screw is not meant to be all the way in, then you lock the piece in position.

## 15mm Cheek piece spacer

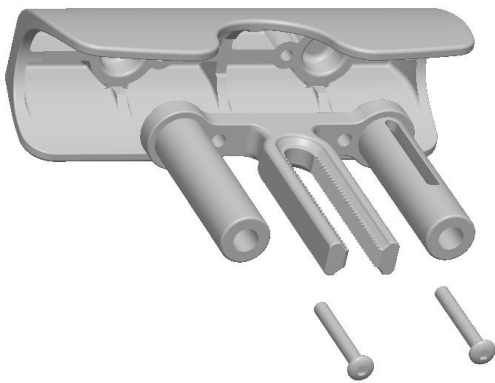
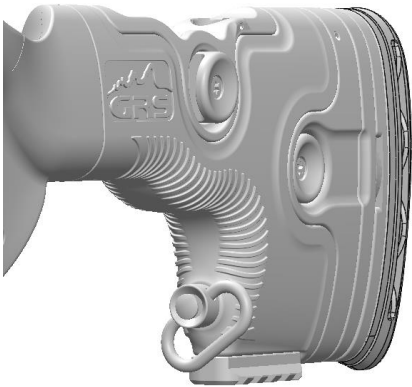


Now the cheek piece is loose.

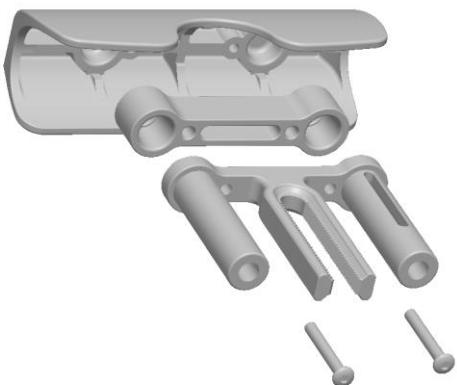
During reassembling, keep the button in open position

### **!WARNING!**

When the cheek piece is out, be careful whit the button, if it moves at an angle. The spring and “Ball” Holding the button will jump out. Then the whole button needs reassembling.



Unscrew the 2 main cheek piece screws.



Put the spacer on the locking mechanism.

Fasten whit the set's screws.